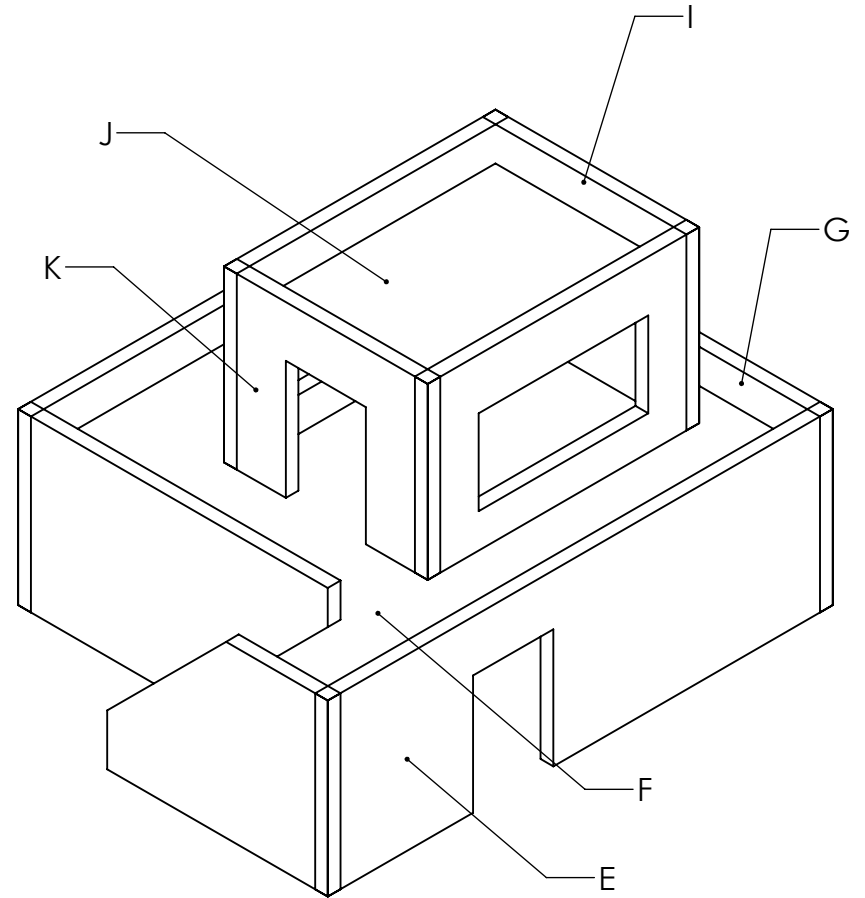
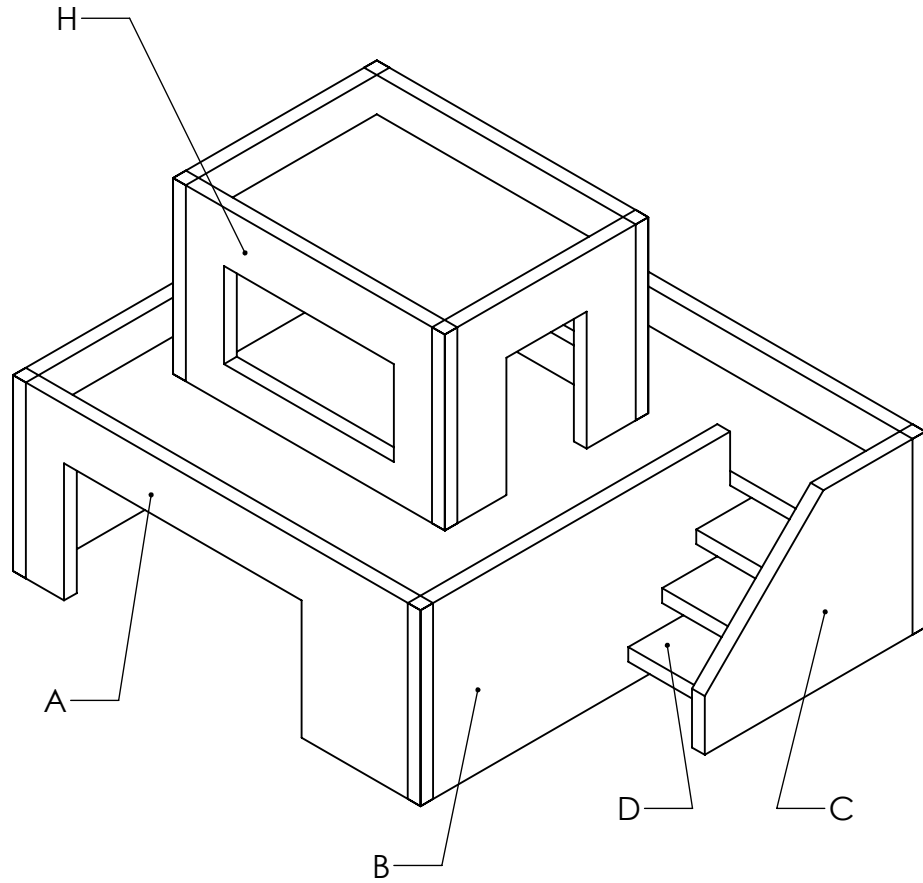
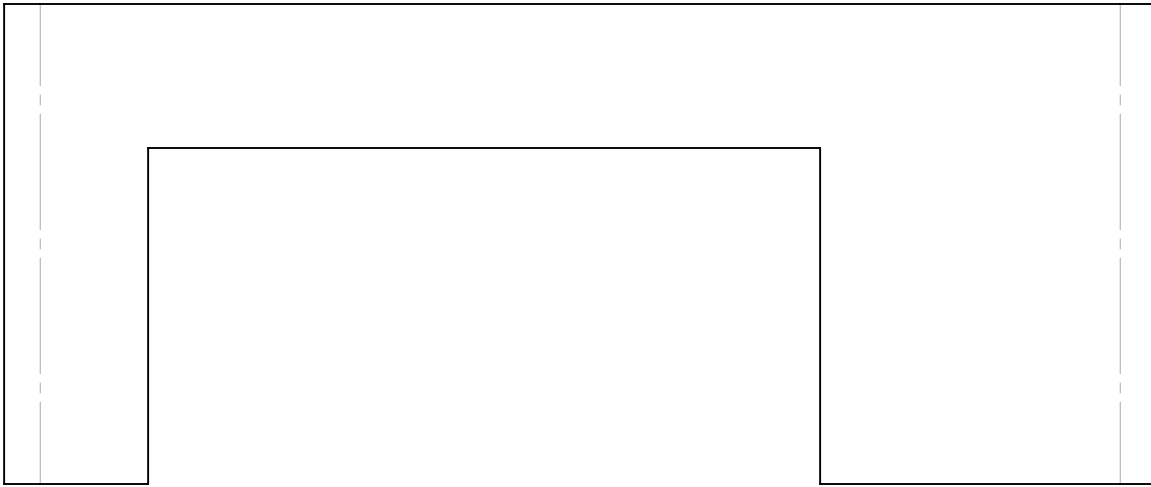


Foam Core Building 1 - 28mm Scale  
-Print at 100% on 8.5" x 11" paper  
-For Use with 3/16" (4.7mm) Foam Core



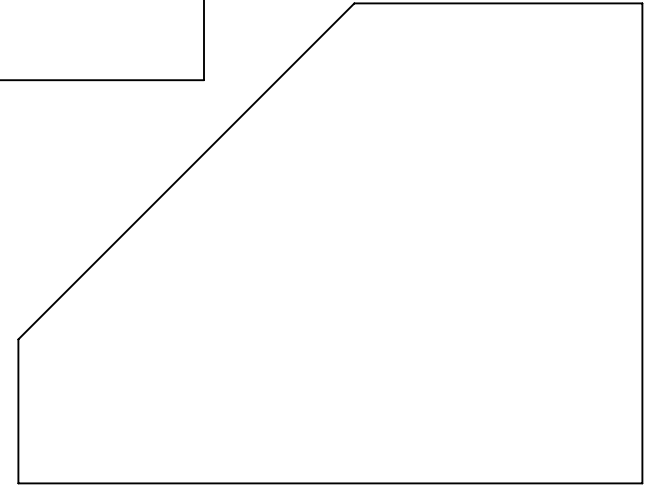
A



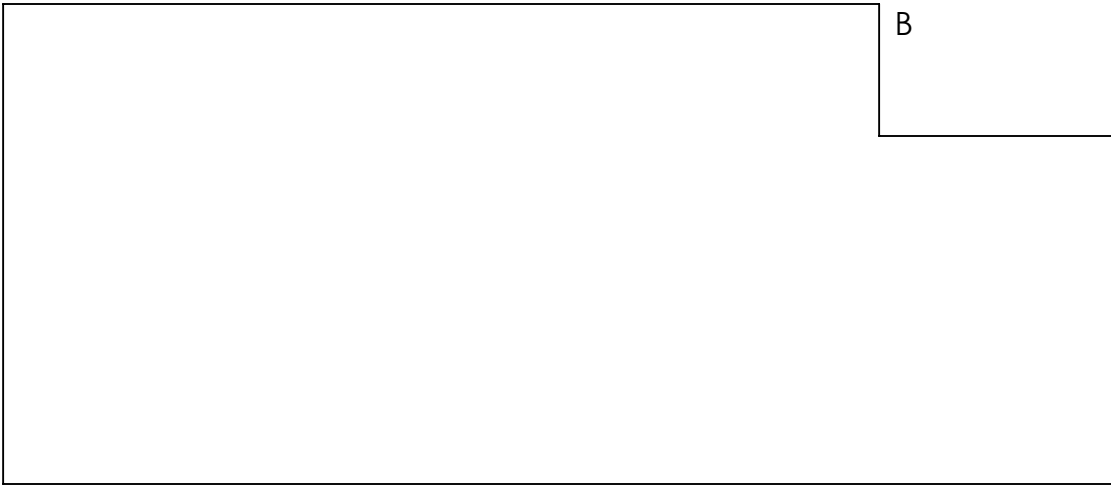
D (Requires 3)



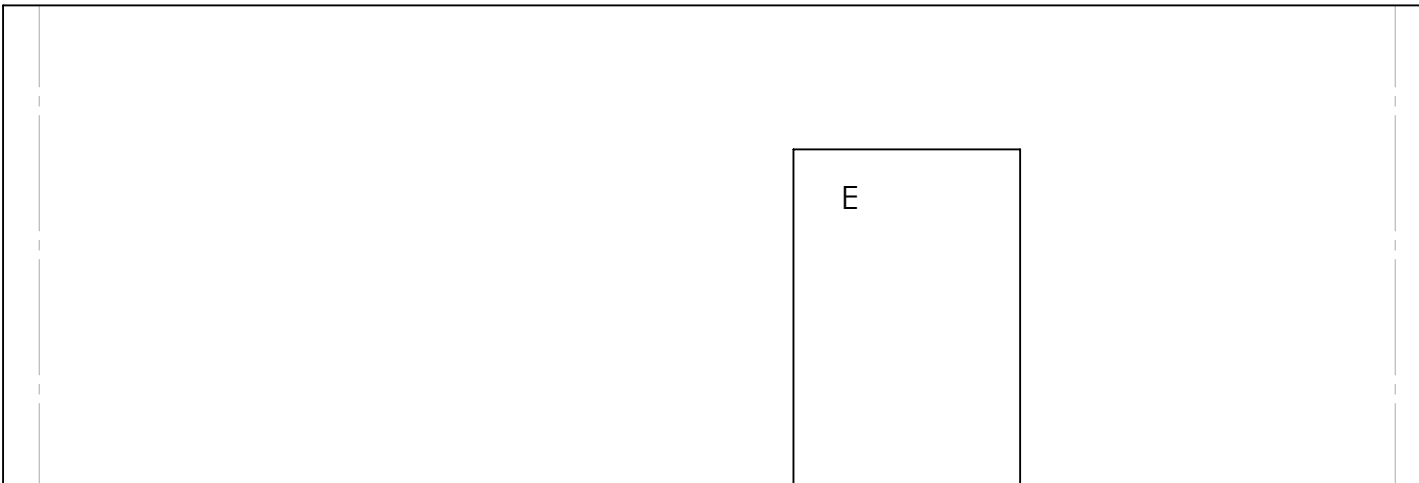
C



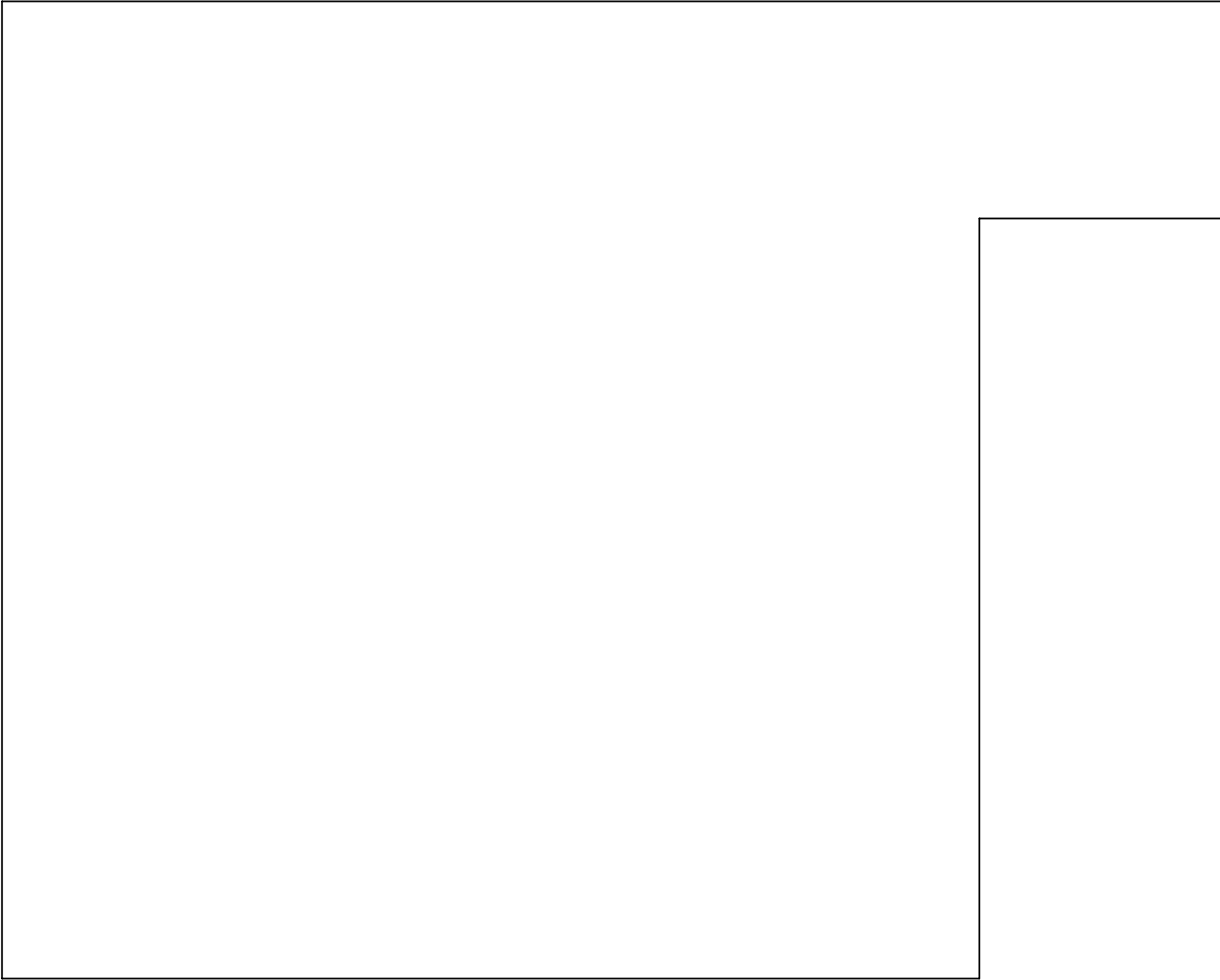
B



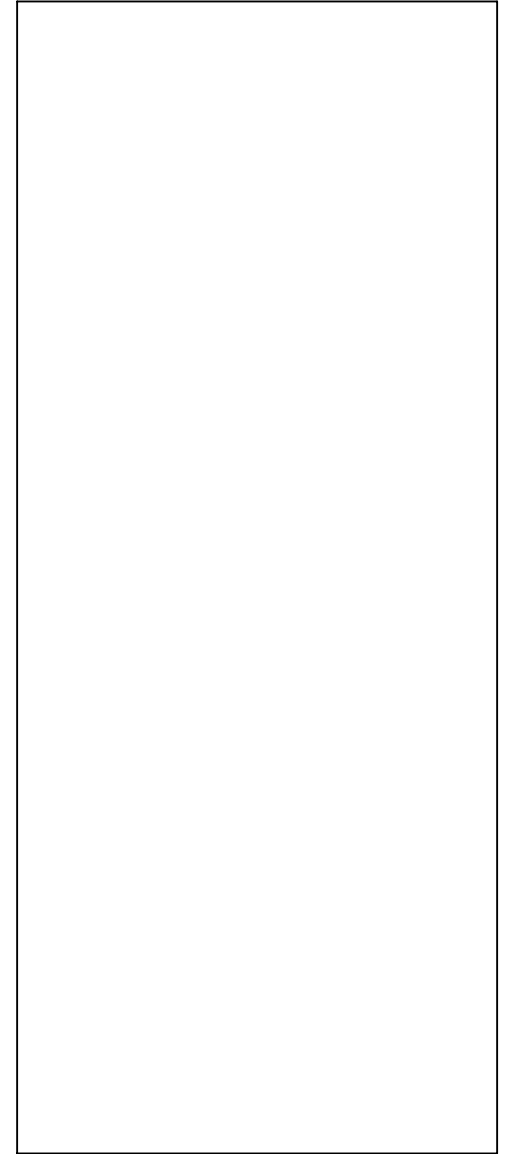
E



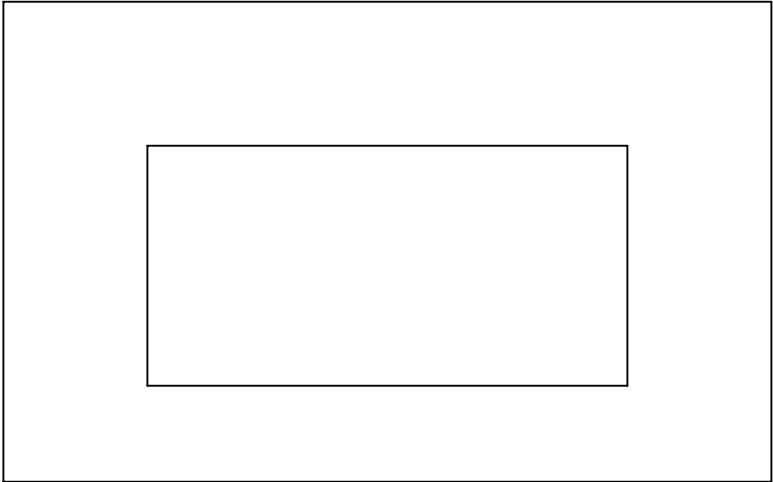
F



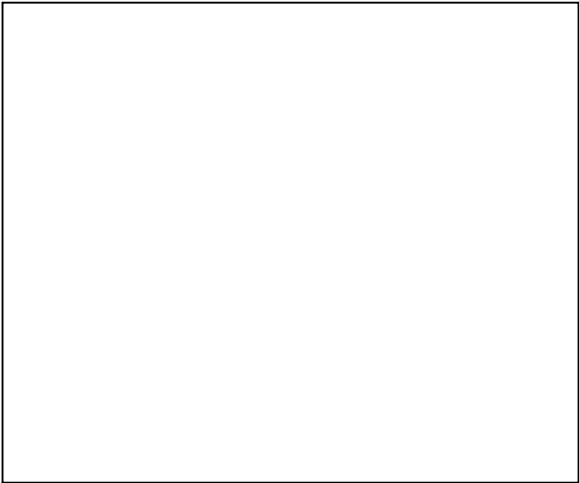
G



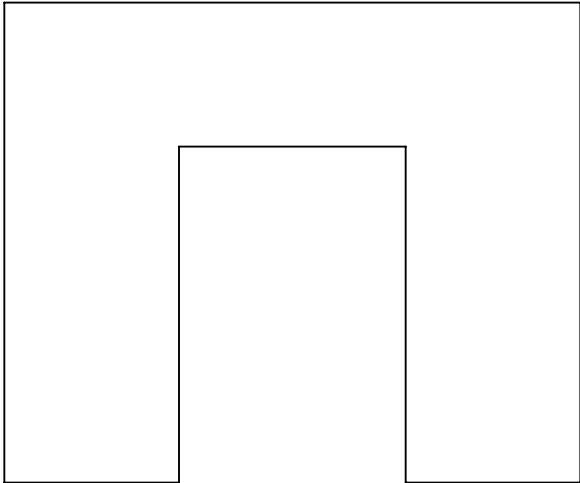
H (Requires 2)



I



K



J

